

Comant CI 121

VHF Communication

COBHAM

The most important thing we build is trust

CI 121 VHF Communication

Our most popular VHF, the CI 121 is similar to our CI 109, only the CI 121 has a smaller diameter whips and is lighter at only 0.5 pounds. Features a tapered glass laminate housing and die-cast aluminum base. Offers standard mounting and appearance to many Cessna communication antennas.

The CI 121 has been re-tested and upgraded to the new RTCA DO-160D environmental requirements and offers the 118 to 137 MHz frequency associated with DO-186 MOPS.

Applications

Single engine piston aircraft for applications of this antenna design. Consult your FBO or installation shop for best application information.

Frequencies Covered

118-137 MHz

Specifications

Electrical

Frequency 118-137 MHz

VSWR 2.5:1 Maximum

Polarization Vertical

Radiation Pattern Omnidirectional

Impedance RF 50 Ohms

Power RF 50 Watts

Mechanical

Weight 0.5 lbs Max.

Height 18.50 inches Max.

Material Cast Housing / Fiberglass whip

Finish Polyurethane Enamel

Connector BNC (female)

Environmental

Temperature -55 to +85 Celsius

Altitude 50,000 ft.

Federal Specifications

FAA TSO C37d, C38d

RTCA Environmental DO-160D

Gasket

B12607-3 Cork Neoprene



WARNING: Use factory supplied drawings and specifications for installation. Refer to FAA AC 43.13-2B for installation guidelines.

Order at:

Tel: 714-870-2420 Fax: 714-870-6294

Email: comantorders@cobham.com

Frequency • 118 - 137 Mhz

Similar to the CI 109, the CI 121 is smaller in diameter and lighter at only 0.5 pounds. Features a tapered glass laminate housing and die-cast aluminum base. Offers standard mounting and appearance to many Cessna communication antennas. The CI 121 has been re-tested and upgraded to the new RTCA DO-160D environmental requirements and offers the 118 to 137 MHz frequency associated with DO-186A MOPS.



MODEL - CI 121

Electrical

Frequency	118-137
VSWR	2.5:1 Maximum
Polarization	Vertical
Radiation Pattern	Omnidirectional
Impedance RF	50 Ohms
Power RF	50 Watts

Mechanical

Weight	0.5 lbs Max.
Height	18.50 inches Max.
Material	Cast Housing / Fiberglass whip
Finish	Polyurethane Enamel
Connector	BNC (female)

Environmental

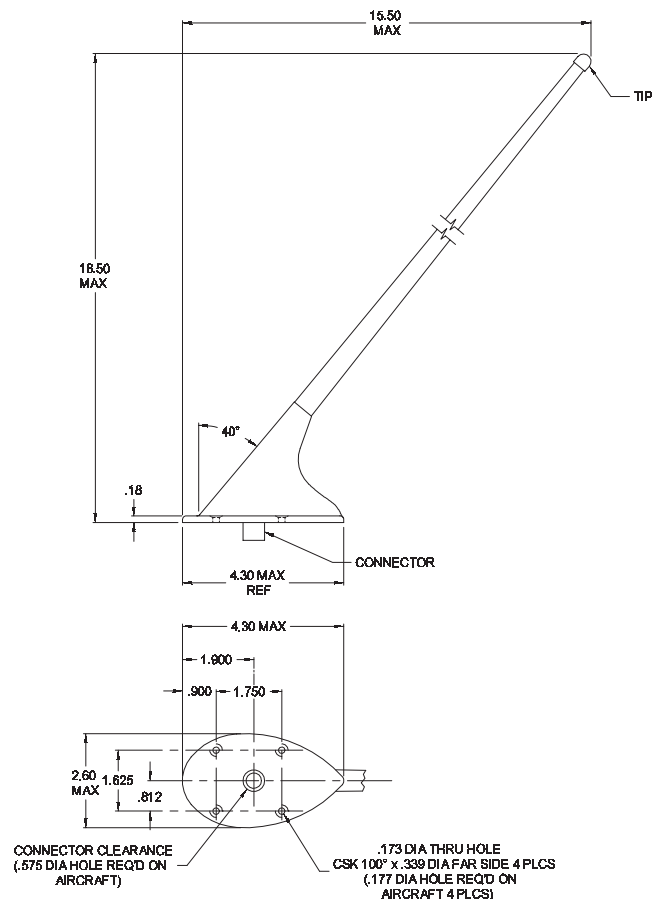
Temperature	-55 to +85 Celcius
Altitude	50,000 ft.
Airspeed	250 KTAS

Federal Specifications

FAA TSO	C37d, C38d
RTCA Environmental	DO-160D

Gasket

B12607-3	Cork Neoprene
----------	---------------



Warning: Drawing not to scale. Use factory supplied drawings and specifications for installation. Refer to FAA AC 43.13-2A for installation guidelines. © 2006 Comant Industries, Inc. Patented. Other Patents Pending.