

AA (1426 & SUBS)

APPROVAL & CHANGE RECORD			

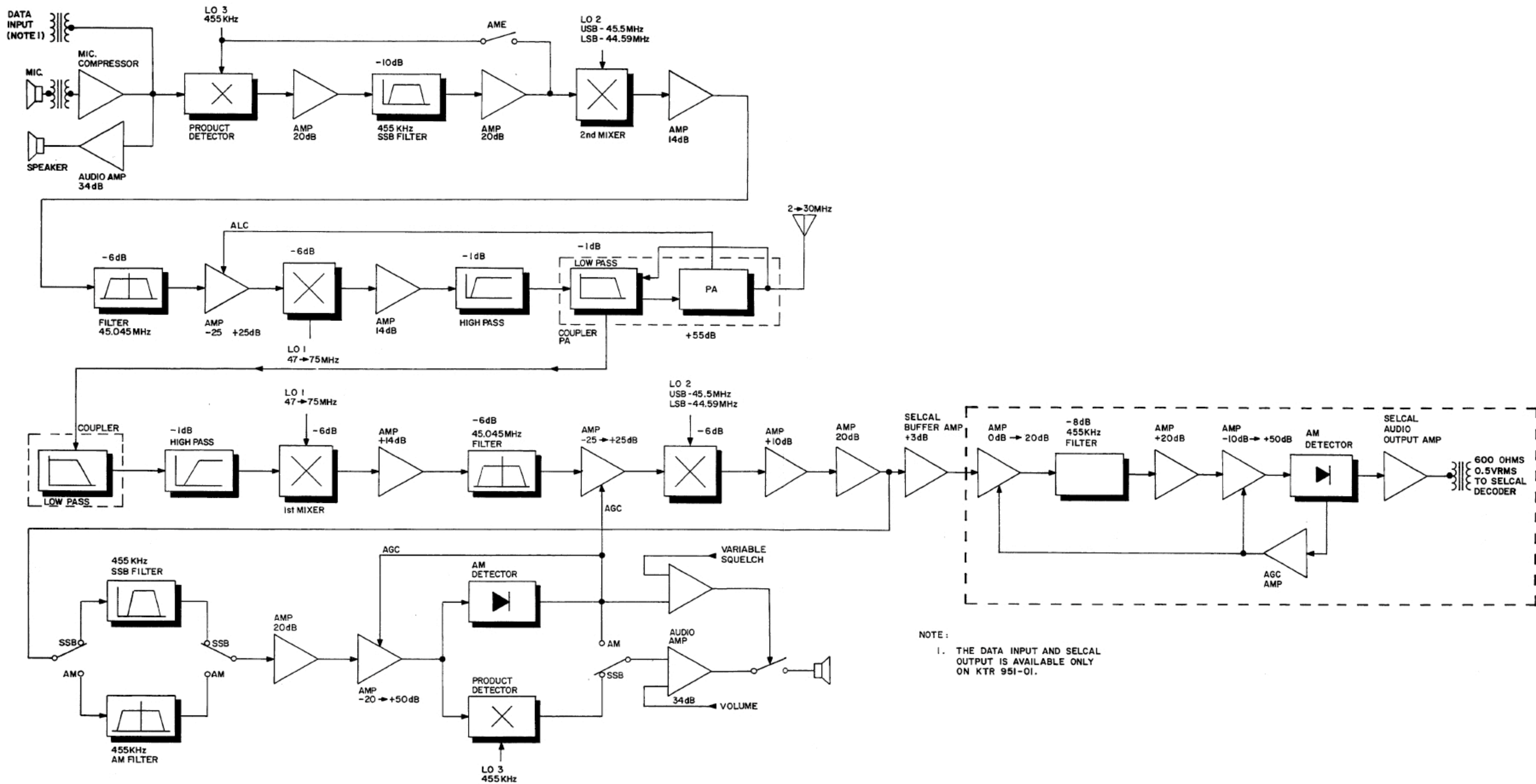
23-21-3
CODE 123A

TITLE
VHF-3 COMMUNICATION

DOUG. 106

CHG	COOL IDENT NO	23-21-3
	88277	

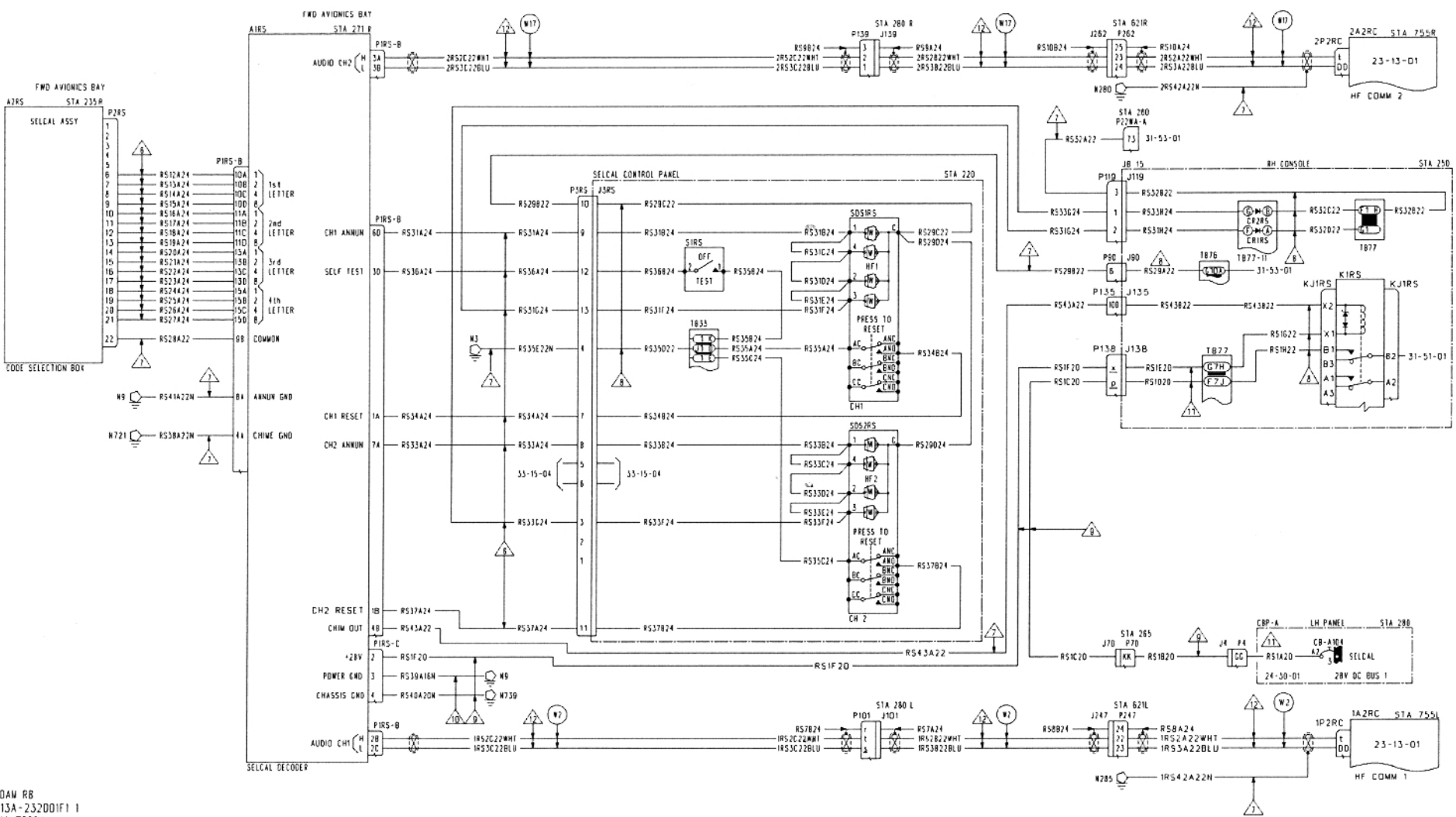
KING
KTR 953
HF TRANSCEIVER



NOTE:
1. THE DATA INPUT AND SELCAL OUTPUT IS AVAILABLE ONLY ON KTR 951-01.

FIGURE 4-4 KTR 953 OVERALL BLOCK DIAGRAM INCLUDING OPTIONAL SELCAL WITH DATA LINK INPUT (Dwg. No. 696-4491-00, R-1)

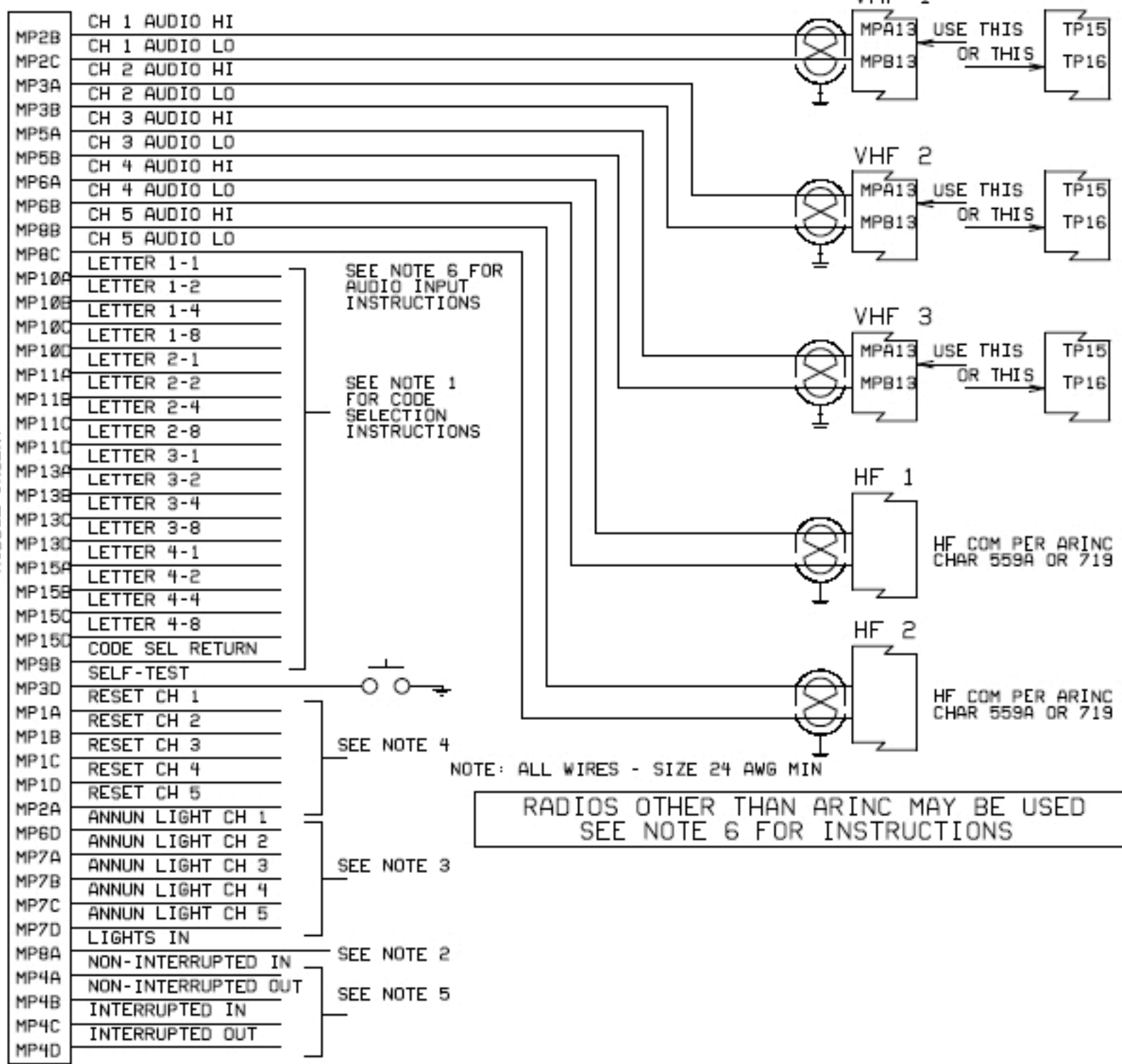
**canair
challenger**
WIRING MANUAL
PSP 601-3A



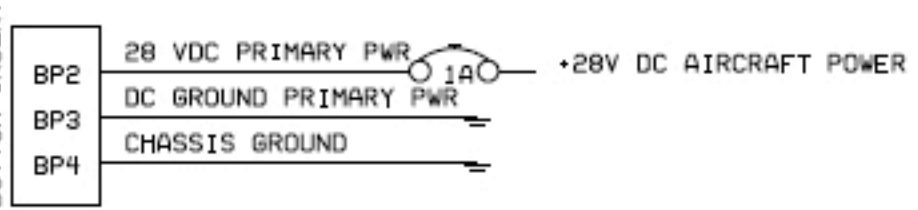
SELECTIVE CALLING SYSTEM
(DOT, FAA AND CAA CERTIFIED A/C)
FIGURE 1 (SHEET 1)

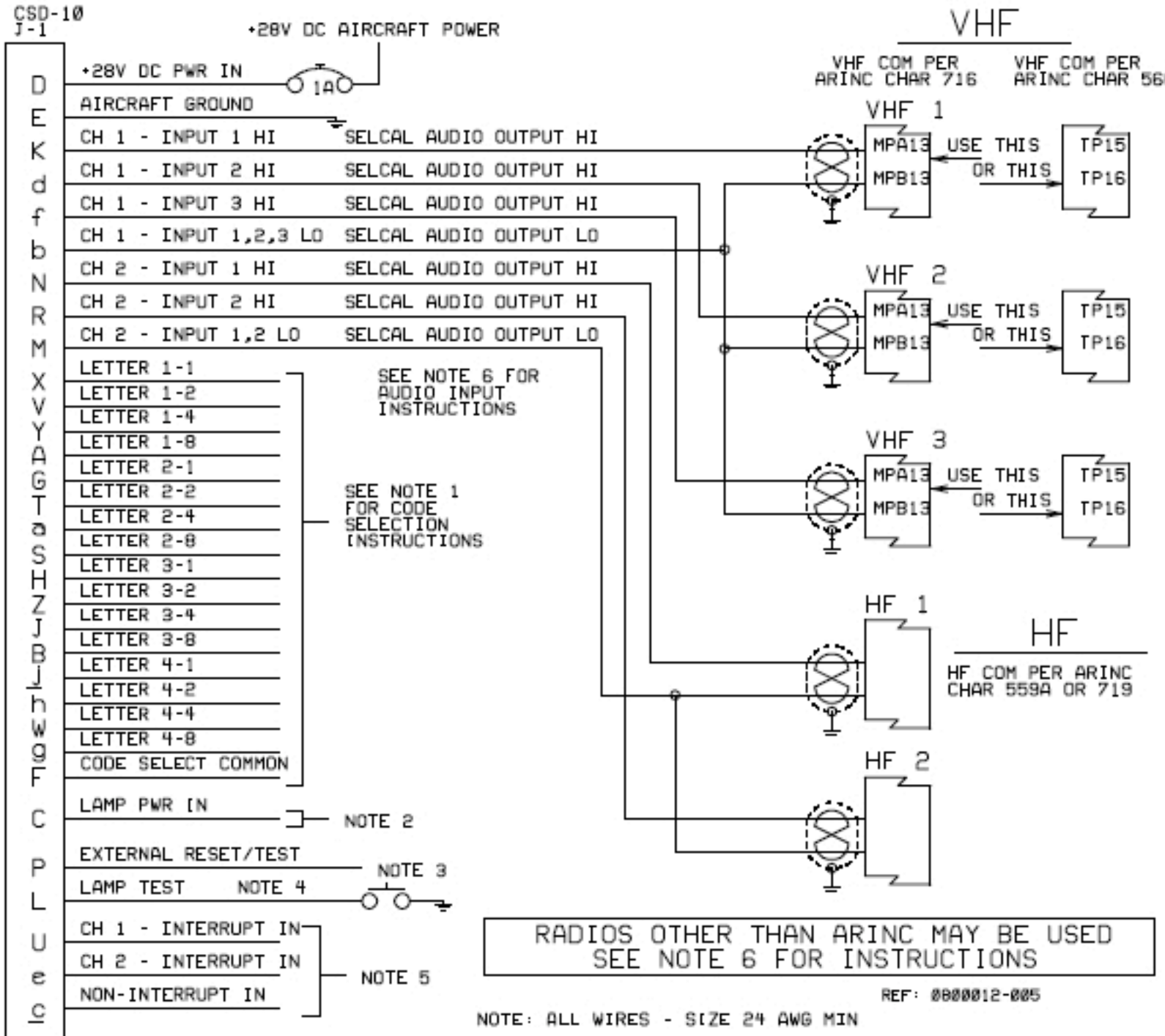
CADAM RB
6013A-232001F1 1
601A-70604

MIDDLE INSERT



BOTTOM INSERT





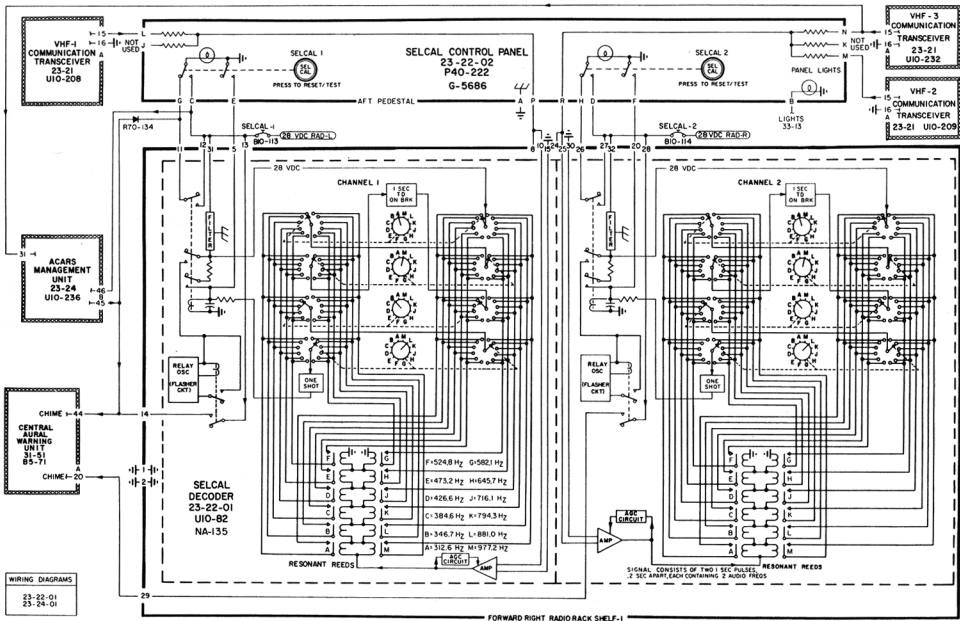
Code Letter	Letter Position	J1 Pin			
First	A	Y	V	X	
Second	S	a	T	G	
Third	B	J	Z	H	
Fourth	g	W	h	j	

Code Letter	Pin Coding			
A	●	●	●)
B	●	●)	●
C	●	●))
D	●)	●	●
E	●)	●)
F	●))	●
G	●)))
H)	●	●	●
J)	●	●)
K)	●)	●
L)	●))
M))	●	●
P))	●)
Q)))	●
R))))
S	●	●	●	●

- represents a connection from the associated J1 pin to the CODE SELECT COMMON, Pin F, or ground.
-) represents no connection to this pin.

Example:
Code FJLQ is programmed by jumpering the following pins to pin F:

- A and X (Letter F)
- a and T (Letter J)
- J (Letter L)
- j (Letter Q)



WIRING DIAGRAMS
23-22-01
23-24-01

AA (PRIOR TO 1376)
TW
XA

APPROVAL & CHANGE RECORD	

23-22-0
CODE I23

TITLE
SELCAL

DOI 107

C 88277
23-22-0

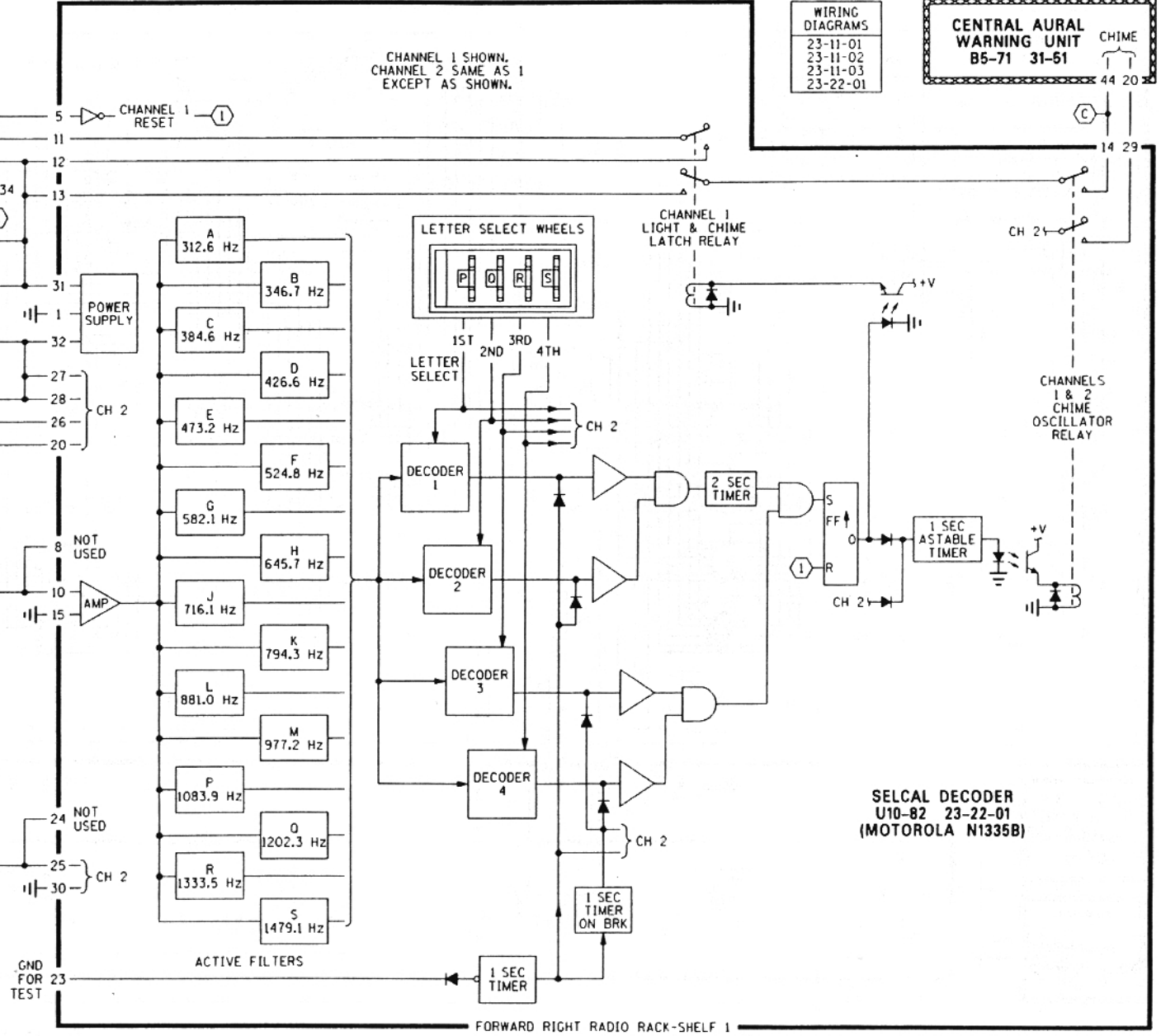
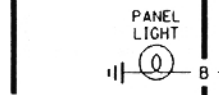
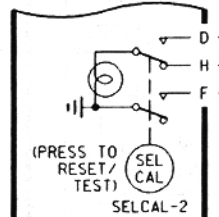
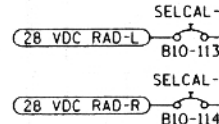
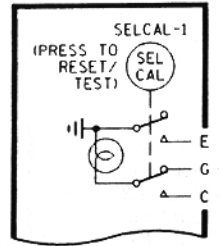
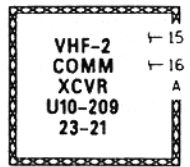
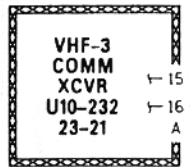
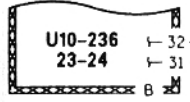
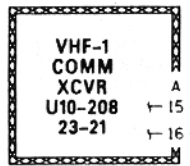
LEITGB

WIRING DIAGRAMS

23-11-01
23-11-02
23-11-03
23-22-01

CENTRAL AURAL WARNING UNIT
B5-71 31-51

NOTE:
SELCAL SIGNAL
CONSISTS OF
TWO 1 SEC PULSES,
EACH CONTAINING
2 AUDIO FREQUENCIES.
THE 2ND PULSE STARTS
.2 SEC AFTER
THE 1ST PULSE ENDS.



SELCAL DECODER
U10-82 23-22-01
(MOTOROLA N1335B)

CUSTOMER: AA (1376 & SUBS)

APPROVAL & CHANGE RECORD

SELCAL

DOUGLAS 108

CHG D	COO IDENT NO. 88277	MD BO	23-22-0
VU LE	DATE 6-20-95	COO 123A	

