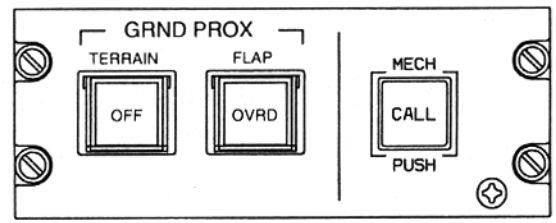
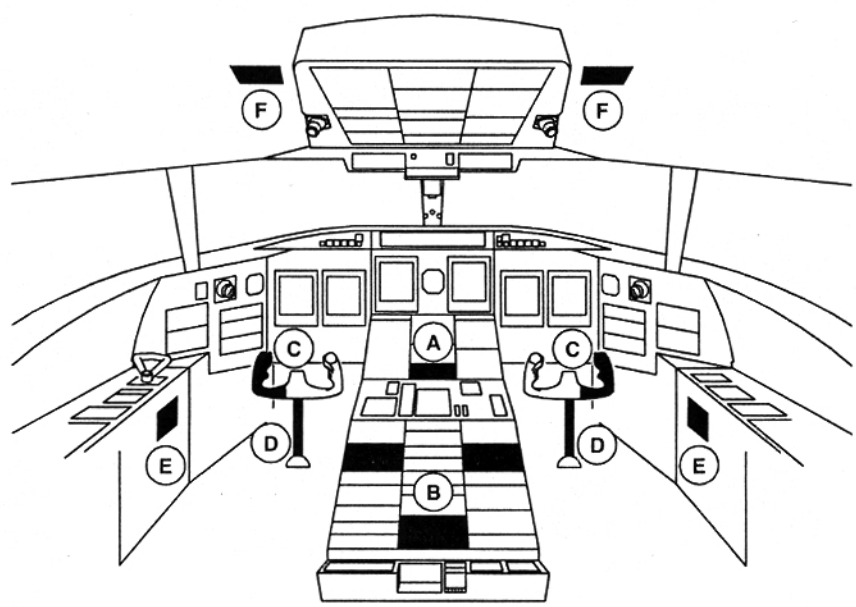
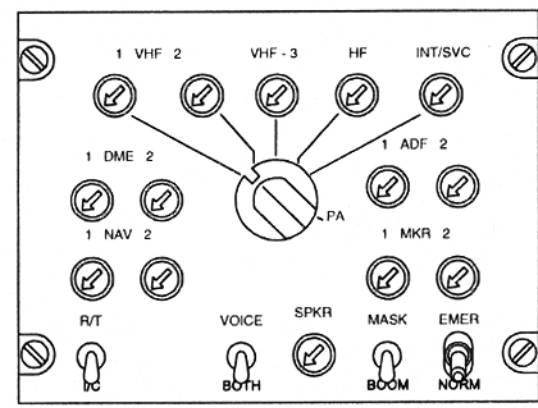


CR7/23-50-02-0001/CGM

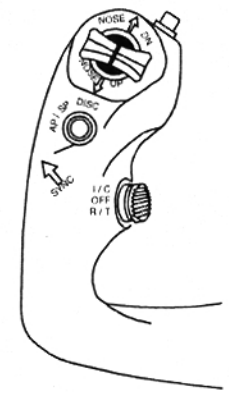
FIGURE 1 - AUDIO INTEGRATING SYSTEM COMPONENTS



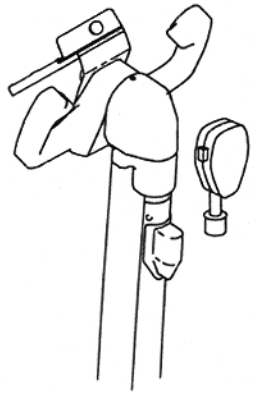
A MECH CALL



B AUDIO CONTROL PANEL



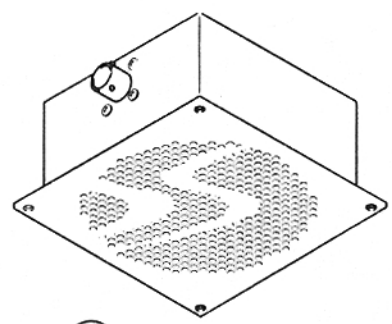
C CONTROL WHEEL



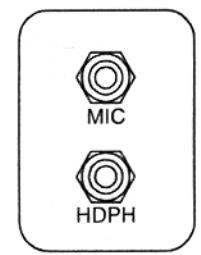
D HAND MIC INSTALLATION



E JACK PANEL



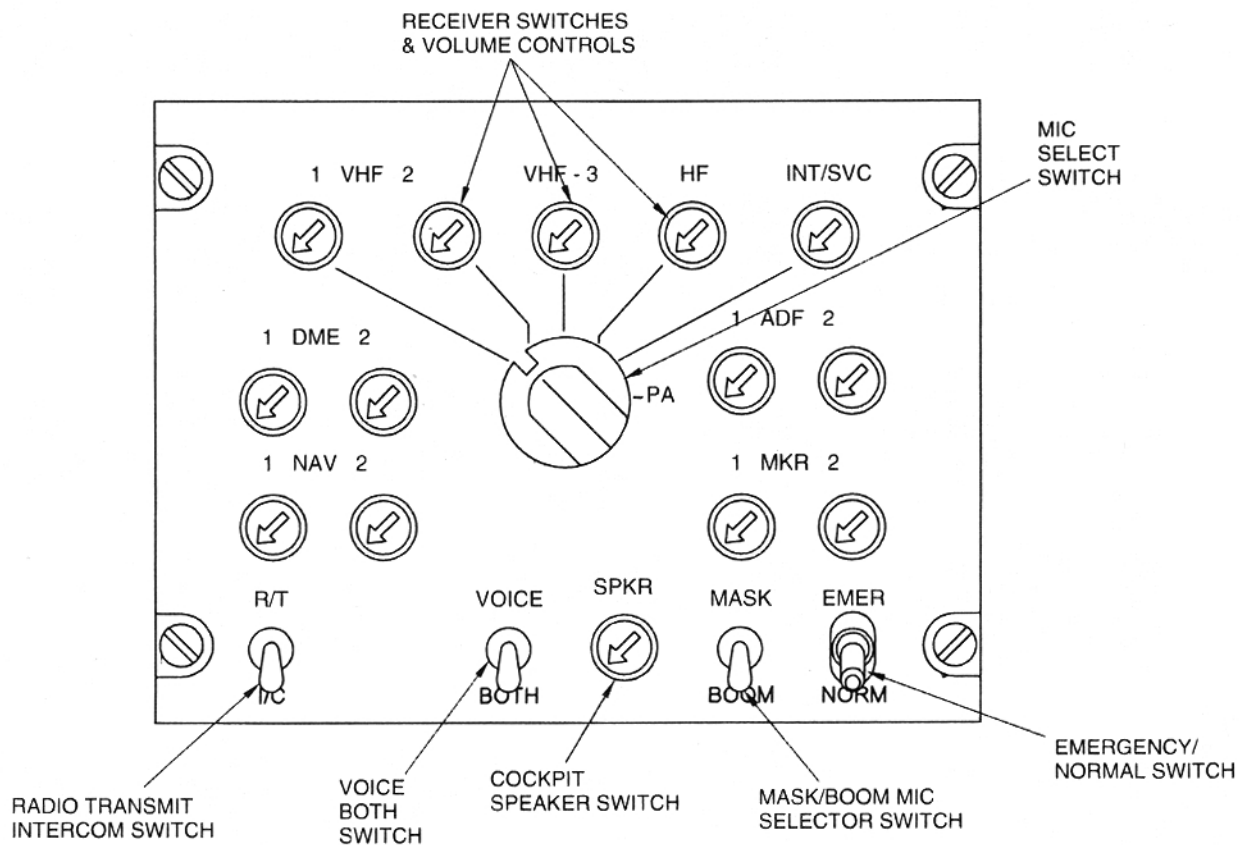
F FLT COMP SPEAKER



OBSERVER'S STATION

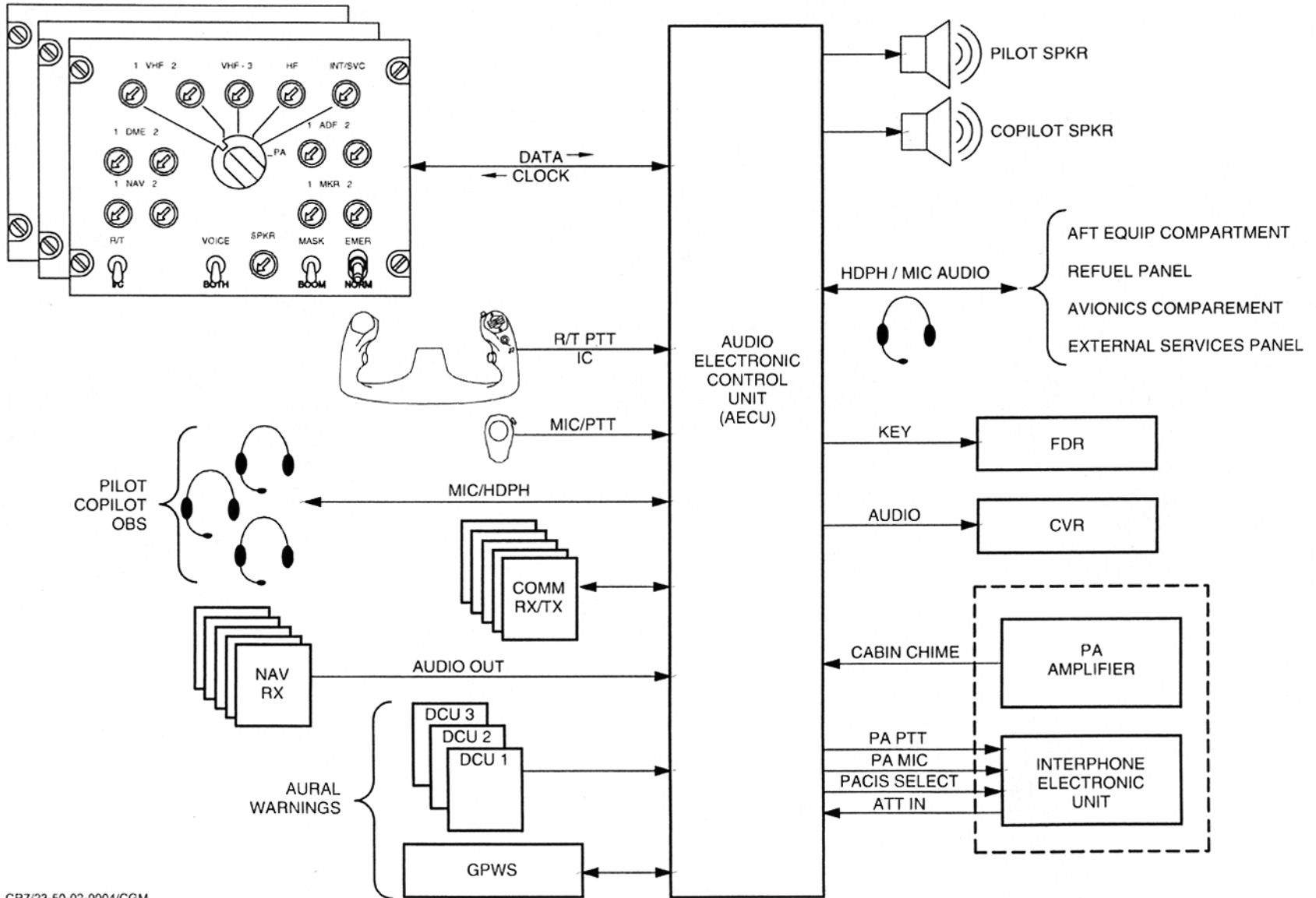
FIGURE 2 - AUDIO INTEGRATING SYSTEM COMPONENTS

CRJ/23-50-02-0002/CGM



CR7/23-50-02-0005CGM

FIGURE 3 - AUDIO CONTROL PANEL



CR7/23-50-02-0004/CGM

FIGURE 4 - AUDIO INTEGRATING SYSTEM INTERFACE DIAGRAM